



Mobile scissor lifts

JCPT0507 / JCPT0607

Mobile scissor lifts JCPT0507 / JCPT0607




STANDARD EQUIPMENT

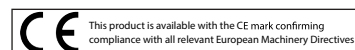
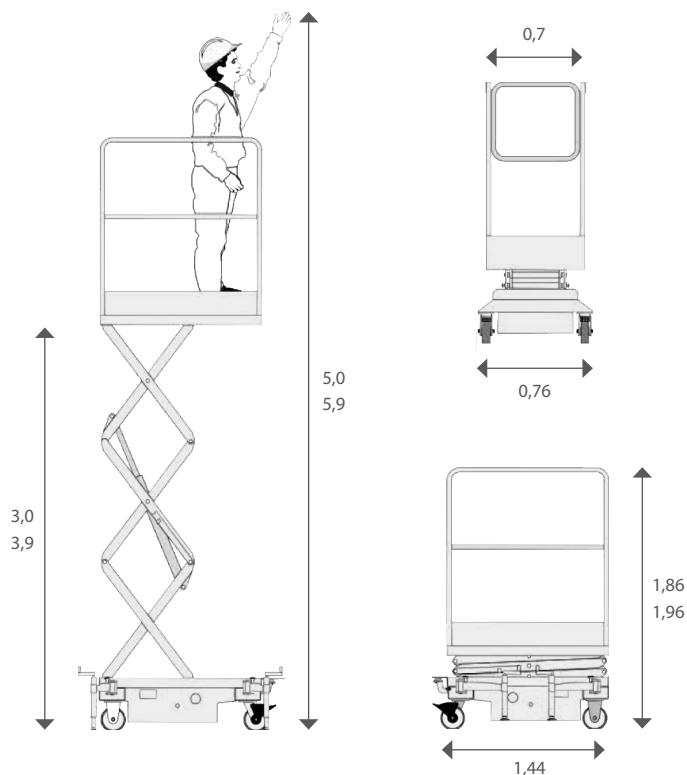
- Battery charge indicator
- Self-lock gate on platform
- Levelling indicator
- Safety brackets
- Emergency stop button
- Emergency lowering system
- Dual locking castors
- Forklift pockets

OPTIONS

- All motion alarm
- Flashing beacon
- Overload sensor with alarm
- AC power to platform

SPECIFICATIONS

	JCPT0507	JCPT0607
 S.W.L	240 kg	240 kg
Max. Occupants	1	1
 Working height	5,0 m	5,9 m
Platform floor height	3,0 m	3,9 m
 Overall length	1,44 m	1,44 m
Overall width	0,76 m	0,76 m
Overall height	1,86 m	1,96 m
Platform size	1,28 x 0,7 m	1,28 x 0,7 m
Ground clearance	0,06 m	0,06 m
Wheelbase	1,14 m	1,14 m
 Lifting motor	12 VDC / 0,8 kw	12 VDC / 0,8 kw
 Travel speed up	34 sec	34 sec
Travel speed down	20 sec	21 sec
 Batteries	12 V / 120 Ah	12 V / 85 Ah
Integrated charger	12 V / 15 A	12 V / 15 A
 Tyres	6 in	6 in
 Weight	402 kg	590 kg



www.dingli.eu

INSTANT

Norway
Tel.: +47 23 19 11 00
info@instant.no

Lithuania
Tel.: +370 5 233 1096
info@instant.lt

Latvia
Tel.: + 371 263 58 152
info@instantlatvija.lv

Estonia
Tel.: +372 680 76 33
info@instanteesti.ee